



PNEUMATIC ROCKDRILLS

DIAMOND DRILLS

REPLACEMENT PARTS

PHQ; @C65@B7.

C2 1175 Appleby Line Burlington, Ontario, Canada L7L 5H9 Phone 905-332-3271 Fax 905-332-9497 Email sales@phqglobal.com

PHQ230 Jackleg

Twenty percent less weight than S250M3 drills

Ten percent less weight than model 250 drills

Faster hitting for twenty percent increase in penetration

Fifty percent less noise than most model 250 drills

Fifty percent less vibration at the operator's hand

Convenient operating controls, with push button leg retraction and adjustable motorcycle control feed on the backhead of the drill.

Positive lubrication with strong front end blow.

Locking steel retainer for collared steel standard.

Uses rock drill oil or grease.

Light weight and faster hitting hammer for ease in collaring holes

Independently tested at NORCAT Sudbury for six months.



PHQ230 Jackleg Drill

PHQ230 drills all new technology, faster valve, air-leg pivot point closer to the front yields increased pushing power and less vibration with faster penetration. Patented anti-vibration handle combined with frontal leg pivot point combined to reduce vibration at the operator's hand. Sound dampened de-icing muffler.

ISO 9001:2015 Certified!



www.phqglobal.com

Features

All new automatic valve designed to increase blows per minute.

Reduced weight for ease of handling.

PHQ230JHMAV Jackleg Specifications

CYLINDER BORE

3 inches – 76.2mm

CYLINDER STROKE

2¹/₈ inches – 54mm

AIR CONSUMPTION

165cfm @100psi – 4.67cu.m/m @689kPa

BLOWS PER MINUTE

2300bpm @100psi – 2300bpm @689kPa

SHANK SIZE - Collared

7/8 inch x 4¹/₄ inch - 22mm x 108mm

LENGTH

Drill 19 inches – 483mm

Leg Retracted 58 inches – 1473mm

Leg Extended 109 inches – 2769mm

WEIGHT

Drill 70 lb – 31.7kg

Leg 29.5 lb – 13.4kg

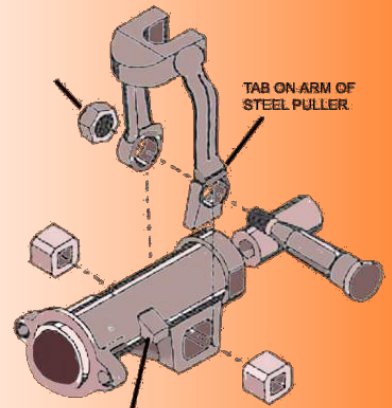
PHQ230 Jackleg configurations:

- PHQ230JHMAV Drill bare
- PHQ230JHMAVL Drill with leg

Anti-vibration muffled jackleg collared c/w steel retainer, air leg, and air and water connections.

PHQ230 Jackleg Drill

LOCKING FRONT END



TAB ON STEEL PULLER STOPS AT TAB ON FRONT END



PHQ carries a full range of parts for PHQ230 drills in stock.

All parts made in Canada to precise specifications using only the highest quality tool steel